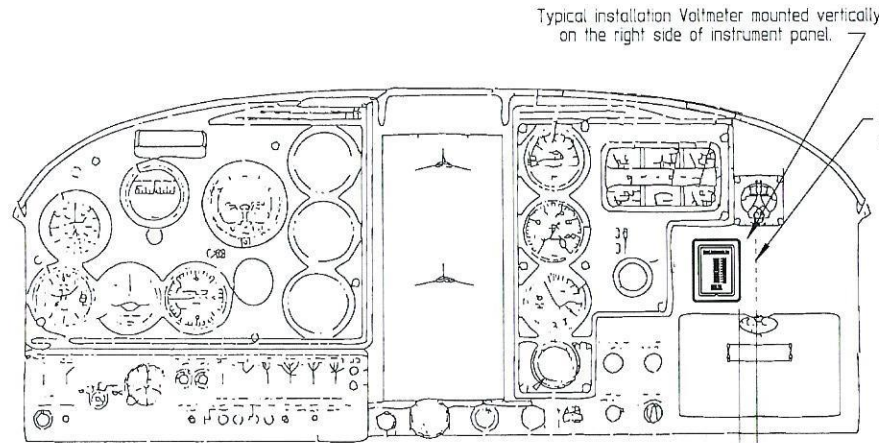


B-2000-0160-1

SYM	REVISIONS	APPROVED	DATE
A	Released for Production	SAM	11/08/02

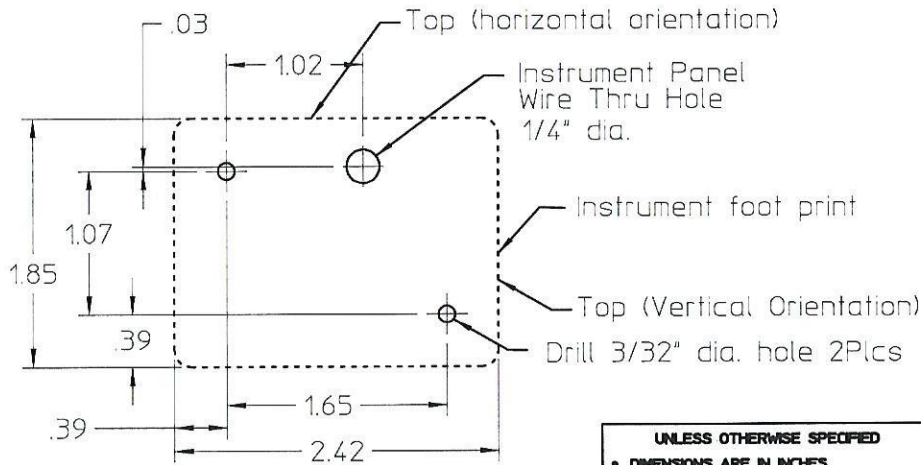


Typical installation Voltmeter mounted vertically on the right side of instrument panel.

Locate a minimum of 1/2" to the nearest device to avoid obstructing Pilots view of adjoining instruments.

Typical Installation

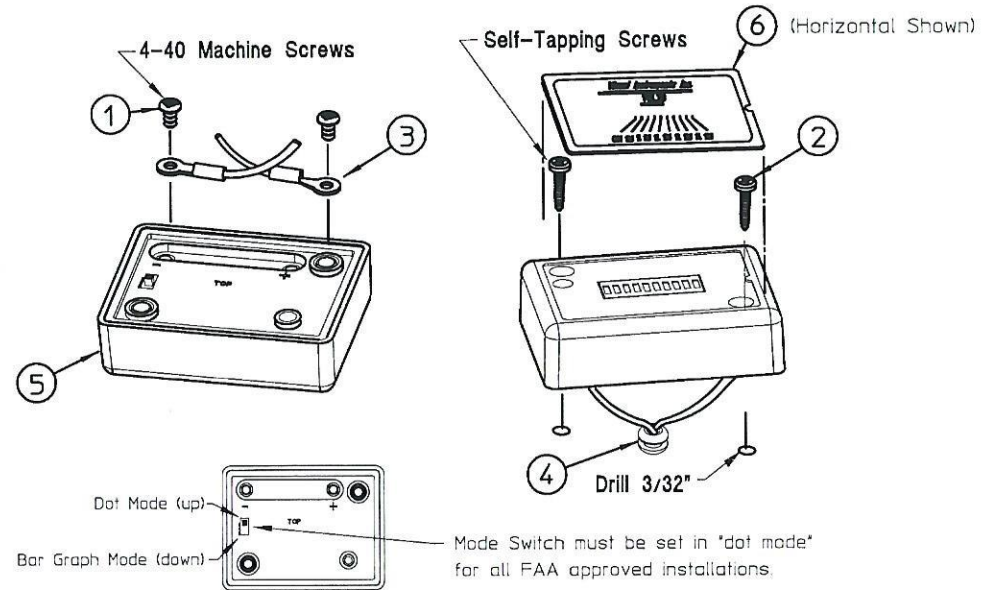
.50 minimum



Drill Pattern

THIS DOCUMENT CONTAINS CONFIDENTIAL, PROPRIETARY INFORMATION THAT IS VISUAL INSTRUMENTS (VI) PROPERTY. DO NOT DISCLOSE TO OR DUPLICATE FOR OTHERS EXCEPT AS AUTHORIZED BY VI.

UNLESS OTHERWISE SPECIFIED	
• DIMENSIONS ARE IN INCHES	 STRIKE OUT OR FILL IN AS NEEDED
• THIRD ANGLE PROJECTION	
• TOLERANCES	
.XX±.02	
.XXX±.005	
DO NOT SCALE THIS DRAWING	



Dot Mode (up)
Bar Graph Mode (down)
Mode Switch must be set in 'dot mode' for all FAA approved installations.

ITEM	QTY.	PART/MATERIAL-DESCRIPTION	Visual Part Number	Control Drawing Number
6	1	12V Label Set	2000-0170	B-2000-0170-1
5	1	Instrument Assembly	2000-2600	B-2000-2600-1
4	1	Grommet 5/32ID X 3/8od for .250 dia hole	2000-5001	B-2000-5001-1
3	2	Ring Terminal #4	2000-5002	B-2000-5002-1
2	2	Tapping Screw 4X.75 sms phil 18-8 SS pan	2000-5003	B-2000-5003-1
1	2	4-40 Machine screws 1/4" pan Posi SS	2000-5004	B-2000-5004-1

Steve Mahoney DRAWN BY	03/07/96 DATE	12 V Voltmeter Installation	<i>Visual Instruments Inc</i>
Steve Mahoney ENGINEER/CHECKER	03/07/96		
RELEASE TO PROD.	TITLE	PART NUMBER	
'2000-0160_revA.mi FILE	X .75 SCALE	1 SHEET	2 OF
		B-2000-0160-1	