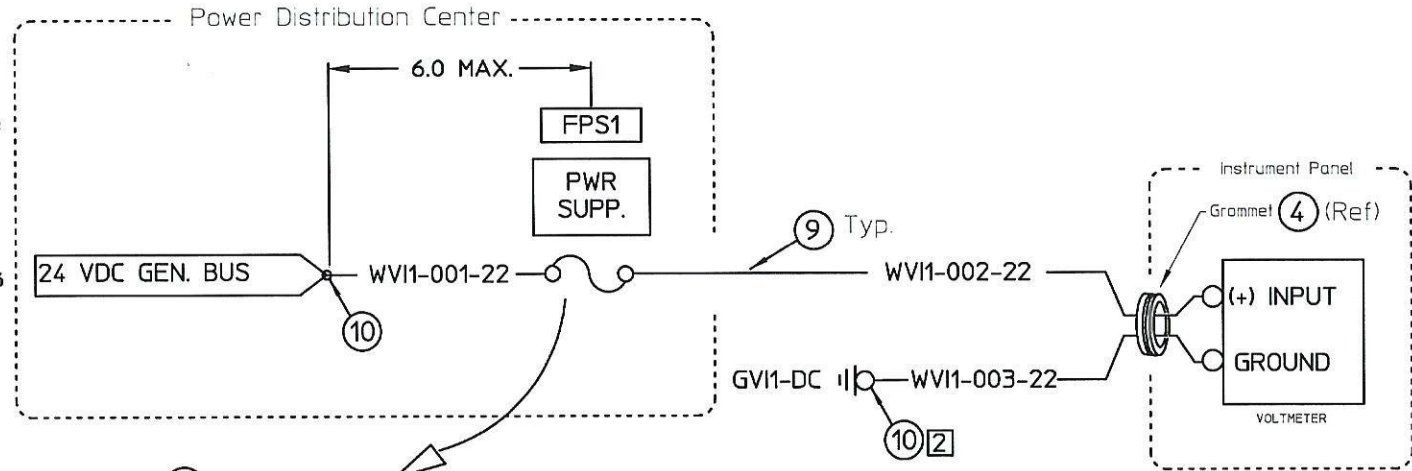


B-2000-0165-2

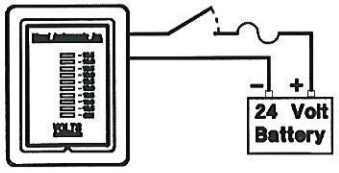
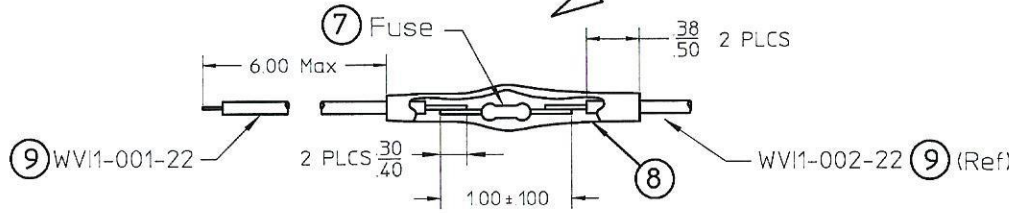
NOTES: (UNLESS OTHERWISE SPECIFIED)

1. Using the 2 self-tapping screws, mount the meter in a suitable location, preferably out of direct sunlight. Make sure the appropriate engraved word "TOP" (dependent on vertical or horizontal installation) is located up.
2. Build up ground stud per AC43.13-1b Chapter 11, Section 15.
3. Route wires as shown per AC 43.13-1b Chapter 11, section 9 and 11. Paying specific attention to the following details:
  - Pick-up existing wire runs by opening existing clamps and utilizing nylon tie wraps to secure new wires to parent harness.
  - The final harness should be neat in appearance - all wires should be Parallel. Breakouts will have support before and after departure from parent harness.
  - Inspect and verify that the new wires cannot be manually deflected into any structure with a bend radius of less than .125 inches
  - Wires will not be routed within 6" of fluid carrying lines. If this is not possible, install wires per AC 43.13-1b Chapter 11, Paragraph 11-126
4. Affix the appropriate label (vertical or horizontal). Peel off the clear protective top layer.

SYH	REVISIONS	APPROVED	DATE
A	Released for Production	SAM	11/08/02



Current Drain less than 100ma at 24 volts DC



Simplified Schematic  
Typical Installation

THIS DOCUMENT CONTAINS CONFIDENTIAL, PROPRIETARY INFORMATION THAT IS VISUAL INSTRUMENTS (VI) PROPERTY. DO NOT DISCLOSE TO OR DUPLICATE FOR OTHERS EXCEPT AS AUTHORIZED BY VI.

UNLESS OTHERWISE SPECIFIED  
 • DIMENSIONS ARE IN INCHES  
 • THIRD ANGLE PROJECTION  
 • TOLERANCES  
 .XX±.02  
 .XXX±.005  
 DO NOT SCALE THIS DRAWING

STRIKE OUT OR FILL IN AS NEEDED

ITEM	QTY.	PART/MATERIAL-DESCRIPTION	Visual Part Number	Control Drawing Number
10	2	Ring Terminal #8	2000-5012	B-2000-5012-1
9	A/R	22 Gage wire Mil.Spec Mil-W-22759/16	2000-5007	B-2000-5007-1
8	A/R	Shrink Tubing 1/8 dia	2000-5006	B-2000-5006-1
7	1	Fuse 2 Amp 125 V Axial	2000-5005	B-2000-5005-1

Steve Mahoney DRAWN BY	03/07/96 DATE	<b>24V Voltmeter Installation</b>	<i>Visual Instruments Inc</i>
Steve Mahoney ENGINEER/CHECKER	03/07/96		
RELEASE TO PROD.		TITLE	PART NUMBER 2000-0165
'2000-0165-2_revA.mil FILE		X .75 SCALE	2 2 SHEET OF

B-2000-0165-2