

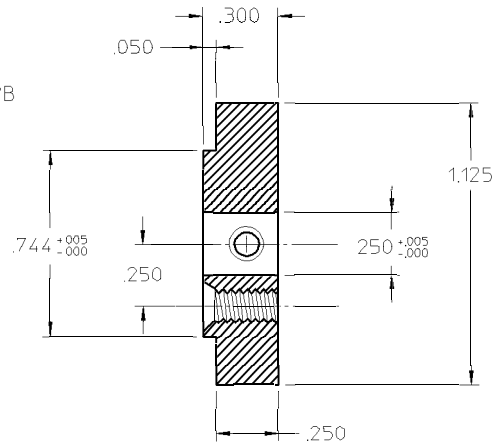
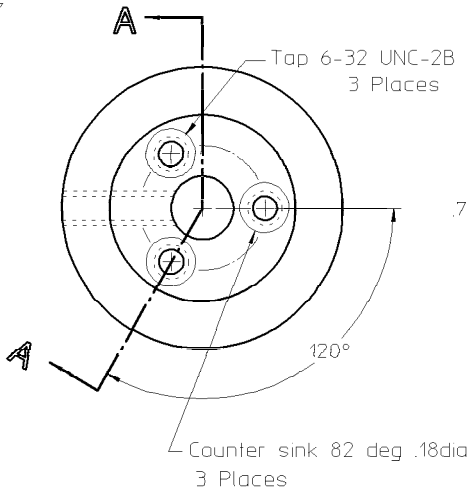
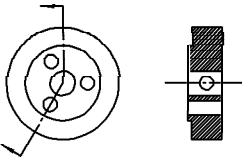
NOTES: (UNLESS OTHERWISE SPECIFIED)

B-6000-0100-1			
SYM	REVISIONS	APPROVED	DATE
B	PCO #2000-2 3places was 4places	SAM	06/01/00

Tap 6-32 UNC-2B
Counter sink 82 deg .04 dp

Sym
About
C/L

.125



Section A-A Scale X2

THIS DOCUMENT CONTAINS CONFIDENTIAL,
PROPRIETARY INFORMATION THAT IS
VISUAL INSTRUMENTS (VI) PROPERTY. DO
NOT DISCLOSE TO OR DUPLICATE FOR
OTHERS EXCEPT AS AUTHORIZED BY VI.

UNLESS OTHERWISE SPECIFIED		1		A/R		6061-T6 Aluminum or Equivalent		Vendor		Vendor Part No.		Price	
• DIMENSIONS ARE IN INCHES		ITEM	QTY.	PART/MATERIAL-DESCRIPTION									
• THIRD ANGLE PROJECTION		Steve Mahoney		09/22/99		Wing Flaps Sender Spindle		Visual Instruments Inc					
• TOLERANCES		DRAWN BY		DATE									
.XX+.02		Steve Mahoney		09/22/99		RELEASE TO PROD.		PART NUMBER 6000-0100					
.XXXX.005		ENGINEER/CHECKER		FILE		6000-0100_rev_B		FULL SCALE		1 SHEET		1 OF	
DO NOT SCALE THIS DRAWING		STRIKE OUT OR FILL IN AS NEEDED										B-6000-0100-1	