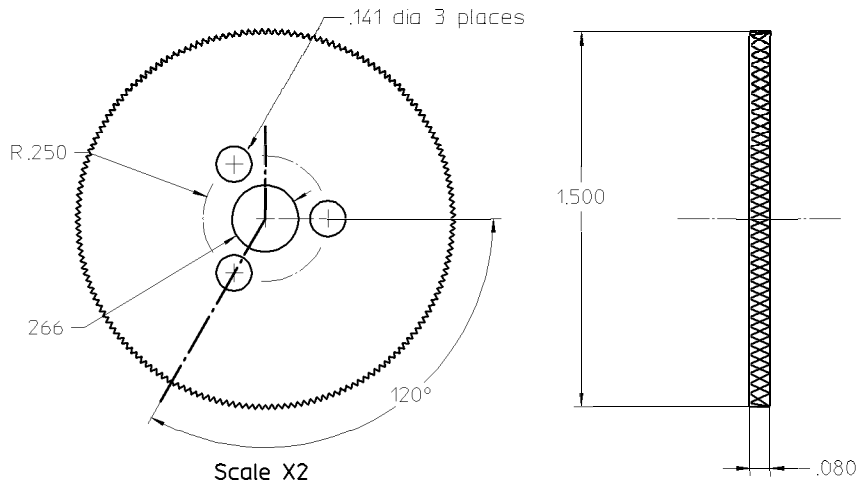


NOTES: (UNLESS OTHERWISE SPECIFIED)

1. Knurl on outer edge optional. Laser serration acceptable
2. Etch and Clear Chromate or anodize optional.

B-6000-0150-1

SYM	REVISIONS	APPROVED	DATE
A	As Issued	SAM	3/05/00



THIS DOCUMENT CONTAINS CONFIDENTIAL, PROPRIETARY INFORMATION THAT IS VISUAL INSTRUMENTS (VI) PROPERTY. DO NOT DISCLOSE TO OR DUPLICATE FOR OTHERS EXCEPT AS AUTHORIZED BY VI.

UNLESS OTHERWISE SPECIFIED		1	A/R	6061-T6 5052 or 2024T-3 Aluminum		Vendor	Vendor Part No.	Price
• DIMENSIONS ARE IN INCHES	• THIRD ANGLE PROJECTION	REN	QTY.	PART/MATERIAL-DESCRIPTION				
• TOLERANCES		Steve Mahoney	09/22/99	Wing Flaps Retaining Washer		Visual Instruments Inc		
.XX±.02 .XXXX.005	STRIKE OUT OR FILL IN AS NEEDED	Steve Mahoney	09/22/99					
DO NOT SCALE THIS DRAWING		RELEASE TO PROD.		TITLE		PART NUMBER		
		6000-0150_rev_A		FULL SCALE	1 SHEET	1 OF	B-6000-0150-1	
		FILE REVISED BY						